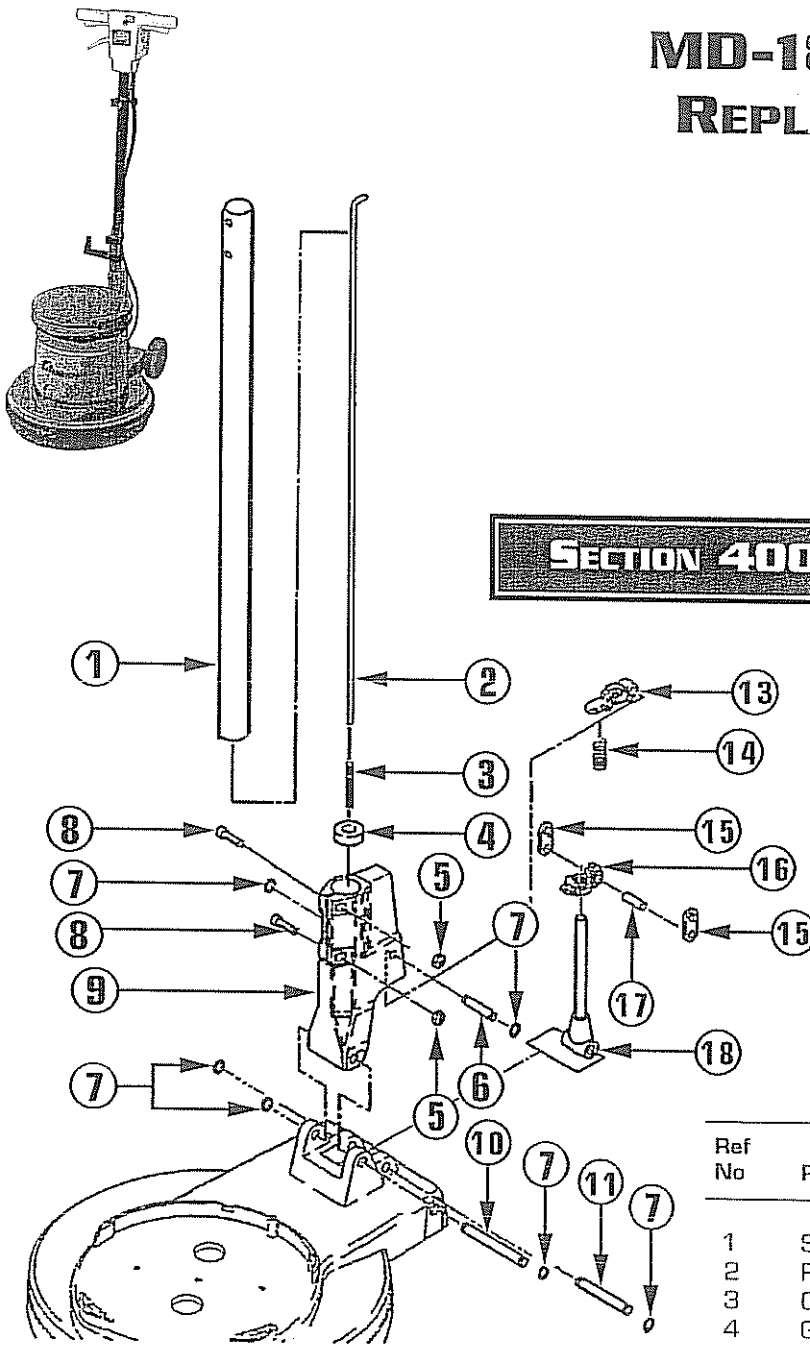
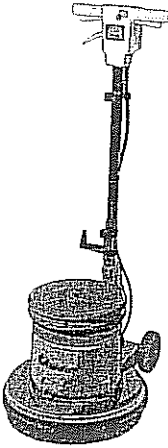


MD-180 FLOOR MACHINE REPLACEMENT PARTS LIST (AFTER JULY, 2003)



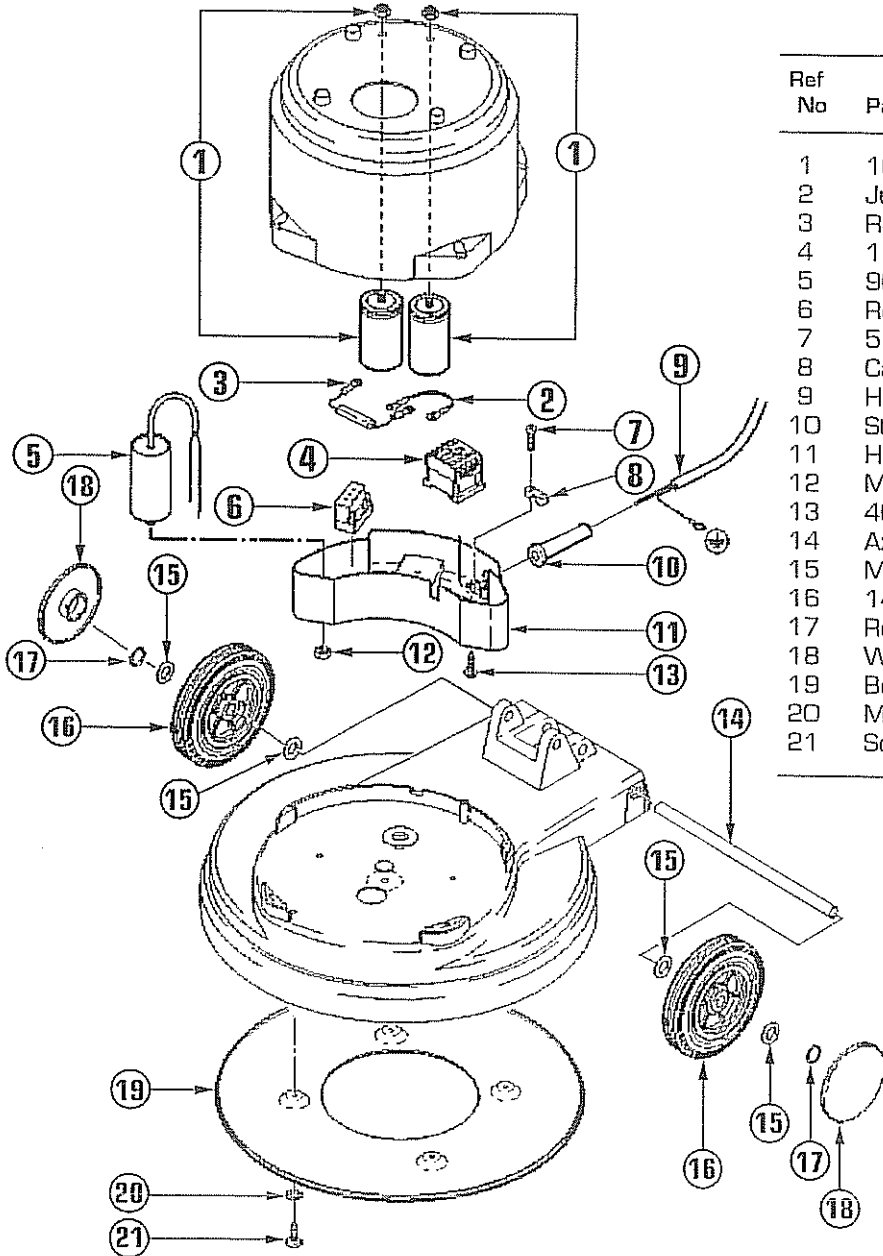
Ref No	Part Description	Qty	Part No
1	Shaft Tube	1	427799
2	Rod	1	427802
3	Compression Spring	1	427810
4	Guide Sleeve	1	427829
5	M6 Nylon Nut	2	439797
6	Axle	1	427845
7	Retainer E-Clip	6	427853
8	M6 X 30 Screw	3	404845
9	Shaft Adjustment Unit	1	427837
10	M12 X 99 Axle	1	427896
11	M12 X 82 Axle	1	427918
13	Shaft Adjuster	1	427926
14	Compression Spring	1	427934
15	Bracket	1	427942
16	Shaft Adjuster	1	427950
17	M10 X 29 Metal Pin	1	427969
18	Handle Tee	1	427977



MD-180 FLOOR MACHINE REPLACEMENT PARTS LIST (AFTER JULY, 2003)

SECTION 300 - ELECTRONICS & AXLE DRIVE

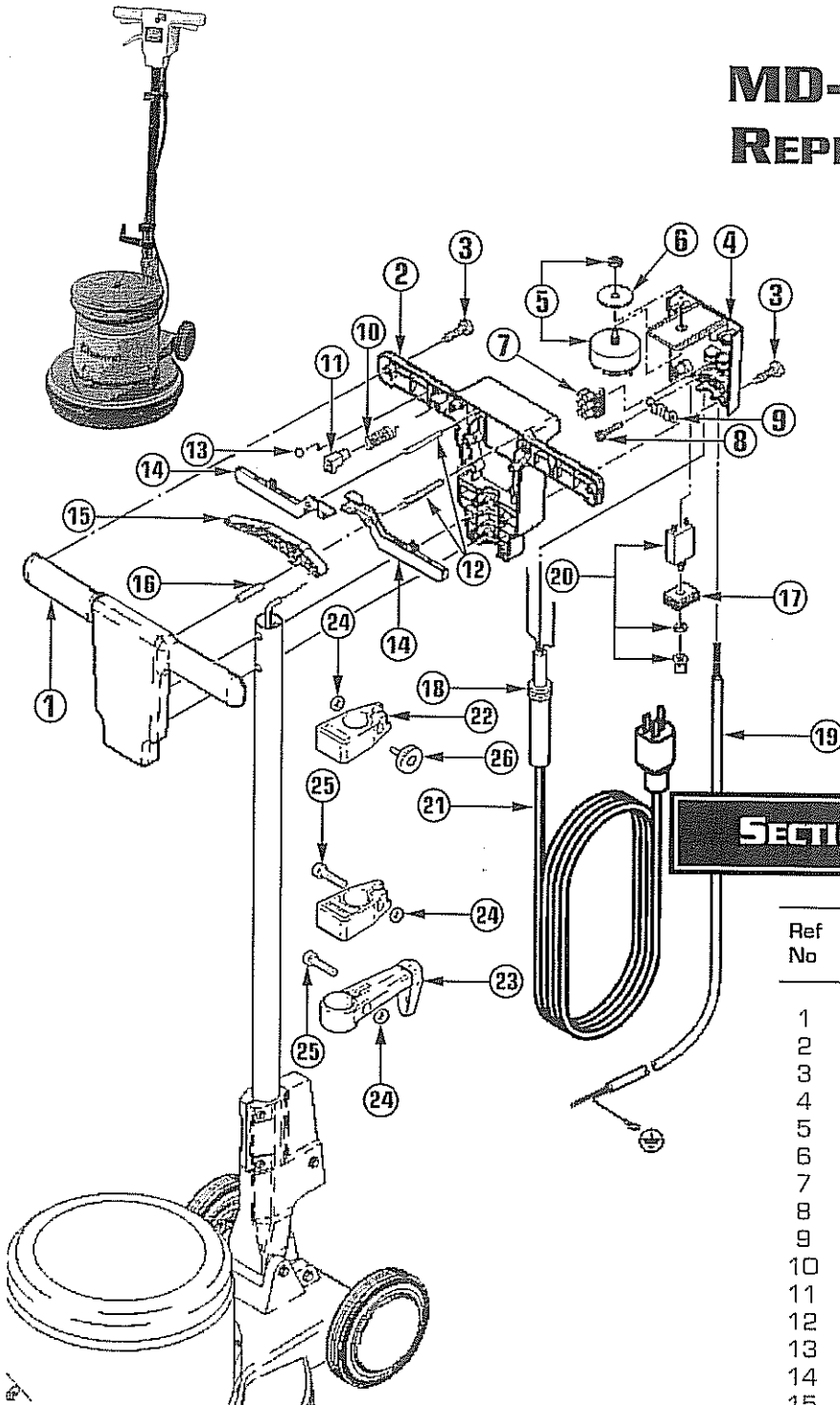
Floor Machines & Burnishers



Ref No	Part Description	Qty	Part No
1	1000uF Capacitor	2	437417
2	Jumper Wire	1	742.362
3	Resistor	1	444065
4	120V Power Protector	1	437441
5	90uF Capacitor	1	437425
6	Relay	1	437433
7	5 X 20 Screw	1	428000
8	Cable Clamp	1	436992
9	Handle Cord	1	437395
10	Strain Relief	1	428035
11	Housing	1	437476
12	M8 Nut	1	404888
13	40 X 18 Screw	1	429376
14	Axle	1	468088
15	M14 Washer	4	437506
16	140mm Wheel	2	741.076
17	Retaining Clip	1	486096
18	Wheel Cover	1	741.076
19	Bottom Plate	1	437.549
20	M5 Lockwasher	1	402850
21	Screw	1	402966

MD-180 FLOOR MACHINE REPLACEMENT PARTS LIST

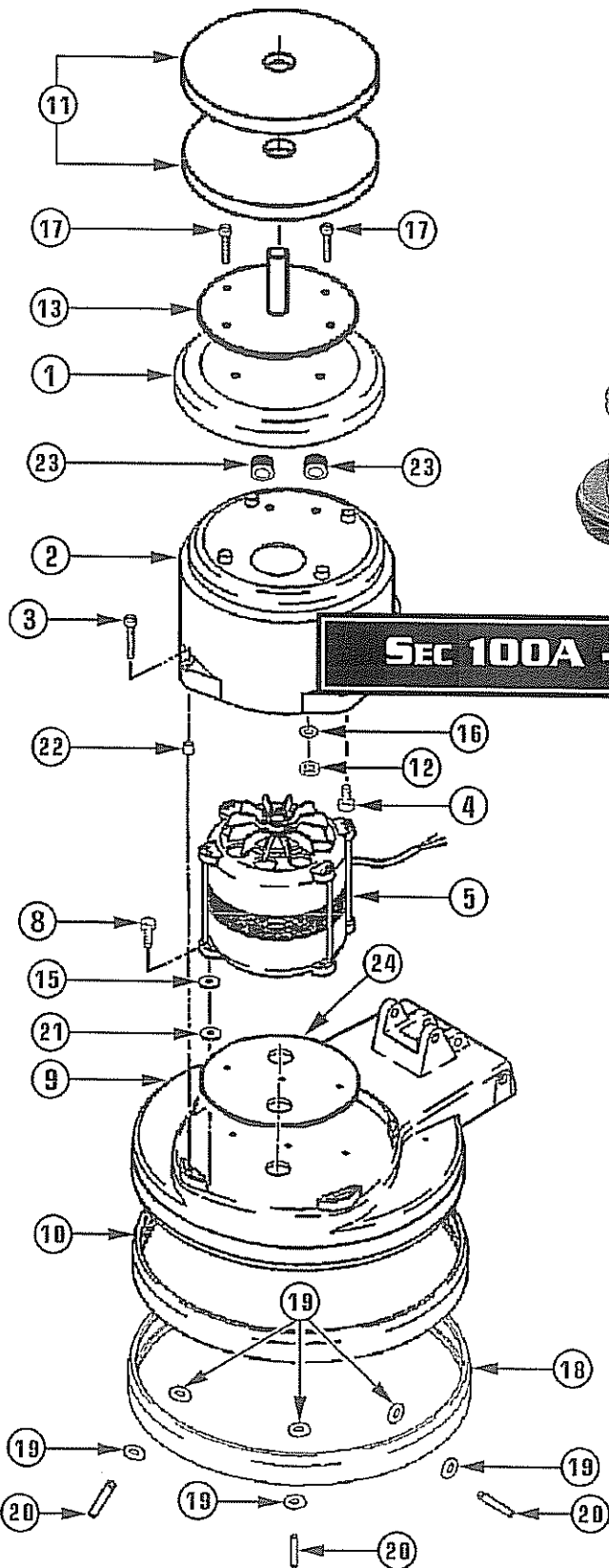
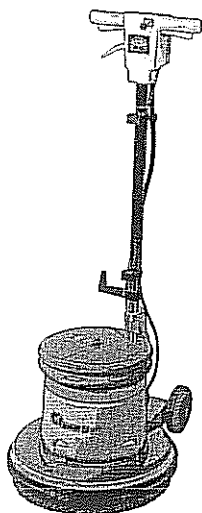
(AFTER JULY, 2003)



SECTION 500 - SWITCH BOX

Ref No	Part Description	Qty	Part No
1	Switch Box Front	1	427667
2	Switch Box Back	1	427675
3	KA 50 X 25mm Screw	2	427683
4	Switch Box Cover	1	472344
5	Switch	1	427993
6	Washer	1	451584
7	Terminal Block	1	428027
8	Screw K40 X 25	1	453188
9	Cable Clamp	1	428019
10	Coil Spring	1	427691
11	Trigger Lock	2	447781
12	Straight Pin	1	427748
13	Ball	1	427713
14	Trigger Switch	1	472301
15	Shaft Adjustment Lever	1	741.207
16	Straight Pin	1	427764
17	Switchbox Plug	1	428043
18	Strain Relief	2	428035
19	Handle Cord	1	437395
20	Motor Protection Switch	1	433284
22	Solution Tank Holder	1	427772
21	14/3, 30 ft Line Cord	1	437409
23	Cord Hook	1	427780
24	M6 Hex Nut	3	439797
25	M6 X 25 Hex Screw	2	404845
26	Millet Screw	1	6321596

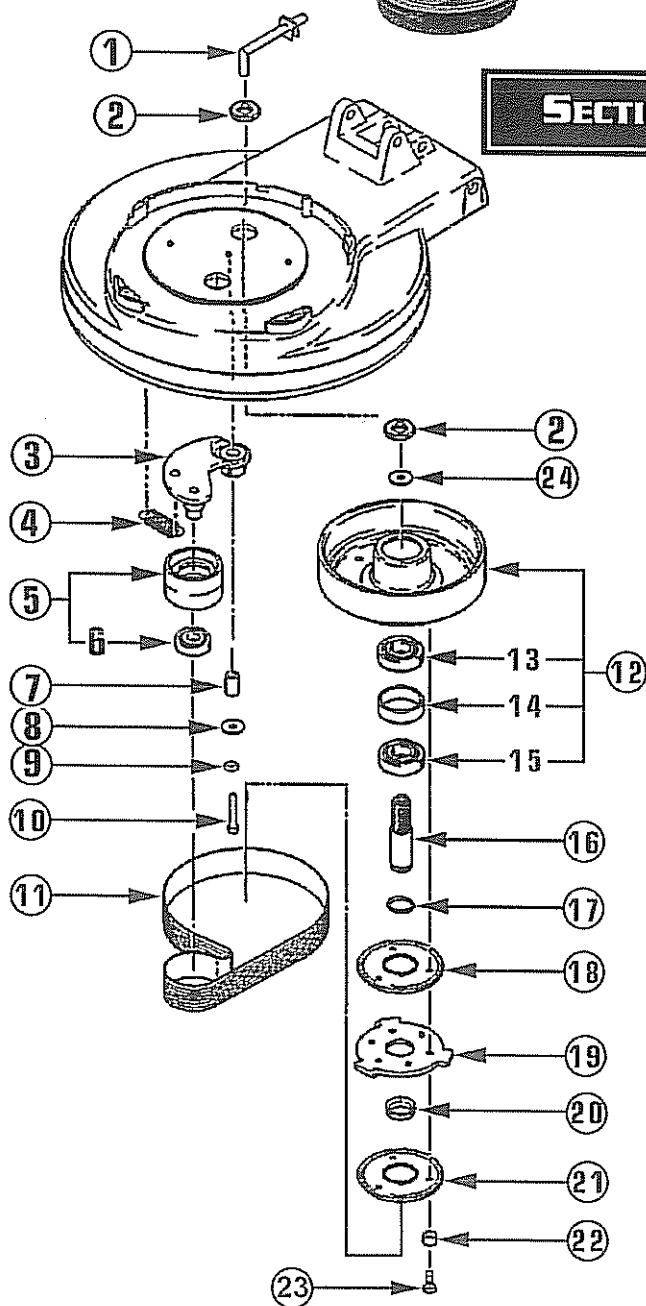
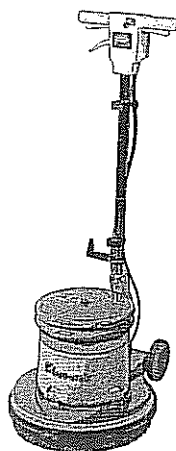
MD-180 FLOOR MACHINE REPLACEMENT PARTS LIST (AFTER JULY, 2003)



SEC 100A - MOTOR ASSY w/WEIGHT HOLDER

Ref No	Part Description	Qty	Part No
1	Motor Canopy w/Weight Holder	1	445118
2	Motor Housing	1	437611
3	M5 X 30 Pan Head Screw	4	437638
4	KA40 X 12 PT Screw	4	437646
5	115V, 1.5 HP Motor	1	437654
8	M6 X 25 Hex Screw	4	404845
9	17" Apron	1	443395
10	Bumper	1	437670
11	25 Lb Weights	2	325759
12	#8-32 Nylon Nut	3	385158
13	Weight Holder	1	443816
14	Nylon Spacer	2	368784
15	Steel Flat Washer	2	380970
16	Steel Washer	3	369519
17	#8-32 X 1" Screw	3	385131
18	Grey Vinyl Bumper	1	442100
19	3/16 Flat Washer	8	322164
20	Pop Rivet	4	382019
21	Brass Flat Washers	2	380679
22	Nylon Spacer	4	365084
23	Plastic Cap	2	445096
24	Reinforcing Plate	1	448516

MD-180 FLOOR MACHINE REPLACEMENT PARTS LIST (AFTER JULY, 2003)

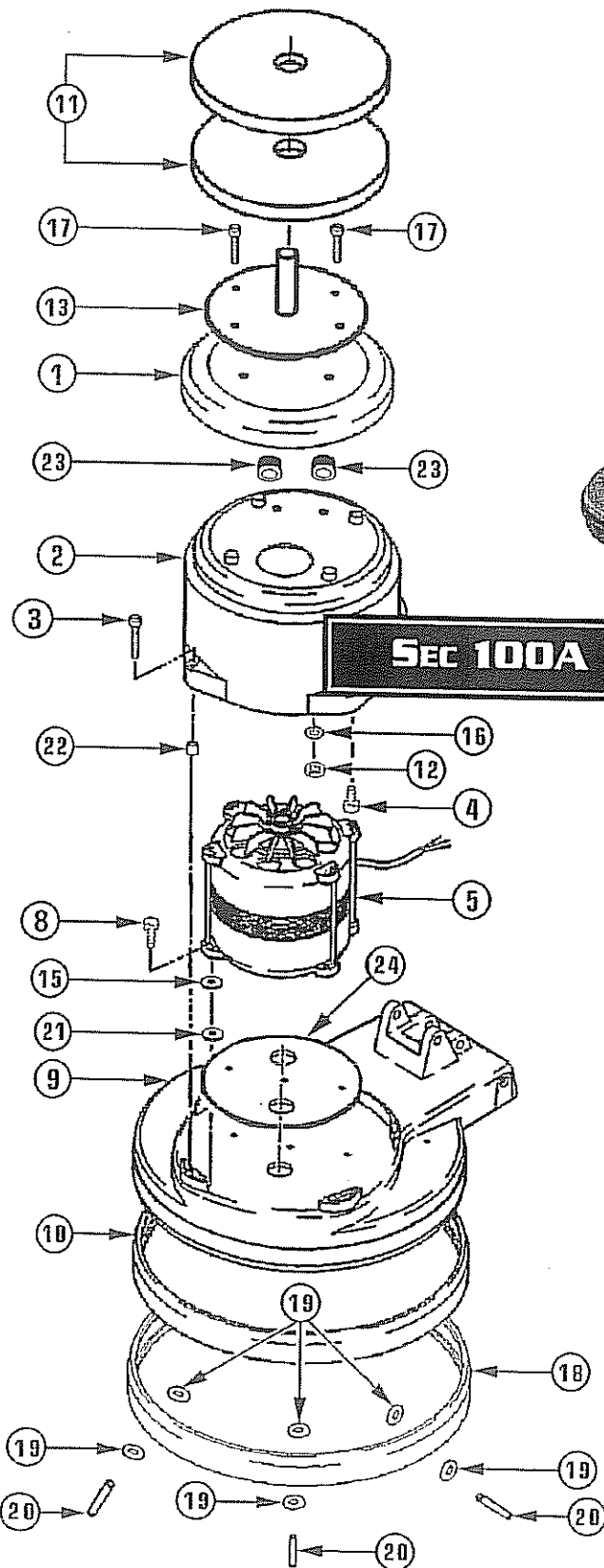
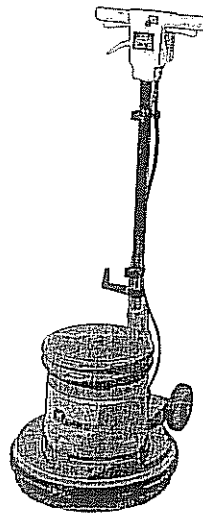


SECTION 200 - BELT DRIVE ASSEMBLY

Ref No	Part Description	Qty	Part No
1	Solution Tube	1	437565
2	Large Flat Washer	1	449474
3	Tensioner Axle	1	437689
4	Belt Tension Spring	1	437697
5	Belt Tension Pulley w/Bearing	1	437700
6	Ball Bearing	1	437743
7	Sleeve	1	437751
8	M8 X 25MM Washer	1	407070
9	M8 Lockwasher	1	405604
10	M8 X 45 Hex Screw	1	437778
11	Poly-V Drive Belt	1	437387
12	Drive Pulley	1	437786
13	Ball Bearing	1	437794
14	Spacer	1	437875
15	Ball Bearing	1	437883
16	Main Shaft	1	437891
17	Retainer Washer	1	437905
18	Spacer	1	434620
19	Star Wheel	1	437956
20	V-Formed Ring	1	437964
21	Brush Support	1	437913
22	Spacer	1	437921
23	M6 X 20 Hex Screw	1	437948
24	Top Bearing Washer	1	444049

MD-180 FLOOR MACHINE REPLACEMENT PARTS LIST (AFTER JULY, 2003)

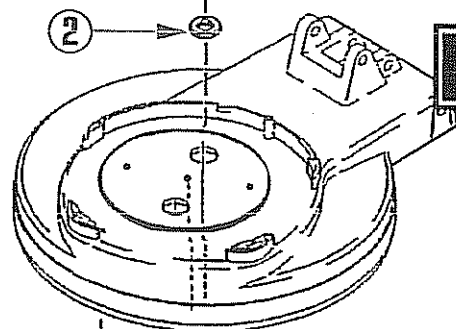
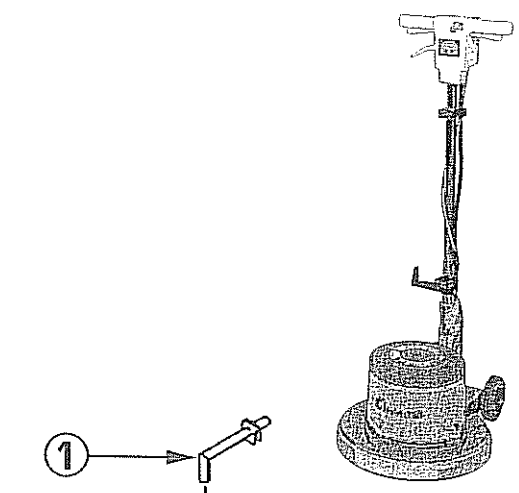
Floor Machines & Burnishers



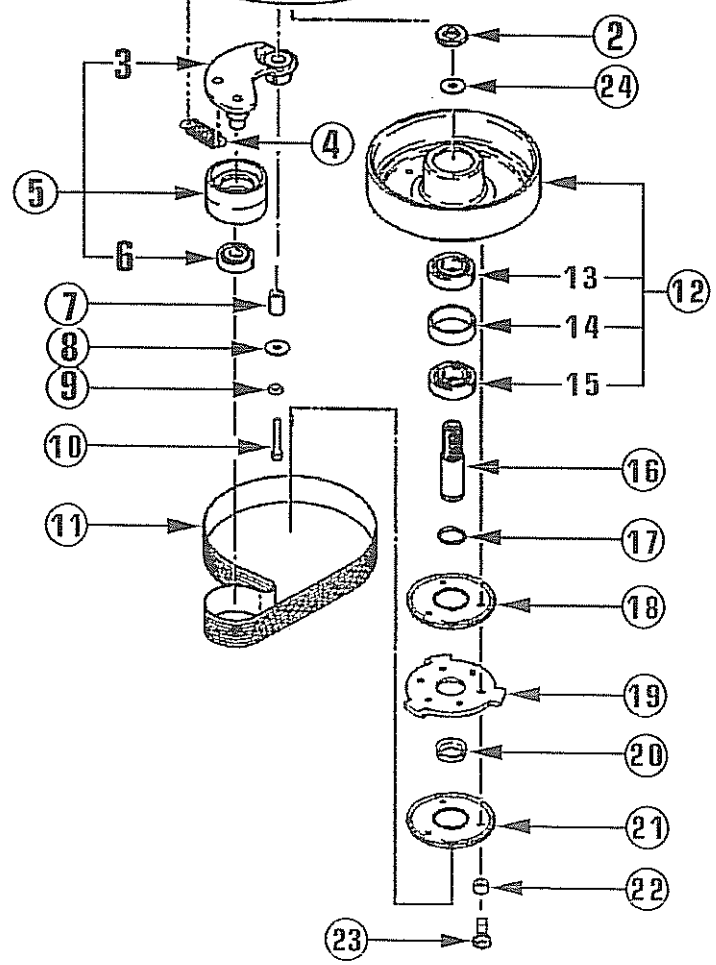
Sec 100A - MOTOR ASSY w/WEIGHT HOLDER

Ref No	Part Description	Qty	Part No
1	Motor Canopy w/Weight Holder	1	445118
2	Motor Housing	1	437611
3	M5 X 30 Pan Head Screw	4	437638
4	KA40 X 12 PT Screw	4	437646
5	115V, 1.5 HP Motor	1	437654
8	M6 X 25 Hex Screw	4	404845
9	17" Apron	1	443395
10	Bumper	1	437670
11	25 Lb Weights	2	325759
12	#8-32 Nylon Nut	3	385158
13	Weight Holder	1	443816
14	Nylon Spacer	2	368784
15	Steel Flat Washer	2	380970
16	Steel Washer	3	369519
17	#8-32 X 1" Screw	3	385131
18	Grey Vinyl Bumper	1	442100
19	3/16 Flat Washer	8	322164
20	Pop Rivet	4	382019
21	Brass Flat Washers	2	380679
22	Nylon Spacer	4	365084
23	Plastic Cap	2	445096
24	Reinforcing Plate	1	448516

MD-180 FLOOR MACHINE REPLACEMENT PARTS LIST (AFTER JULY, 2003)

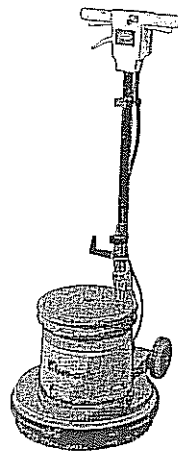


SECTION 200 - BELT DRIVE ASSEMBLY

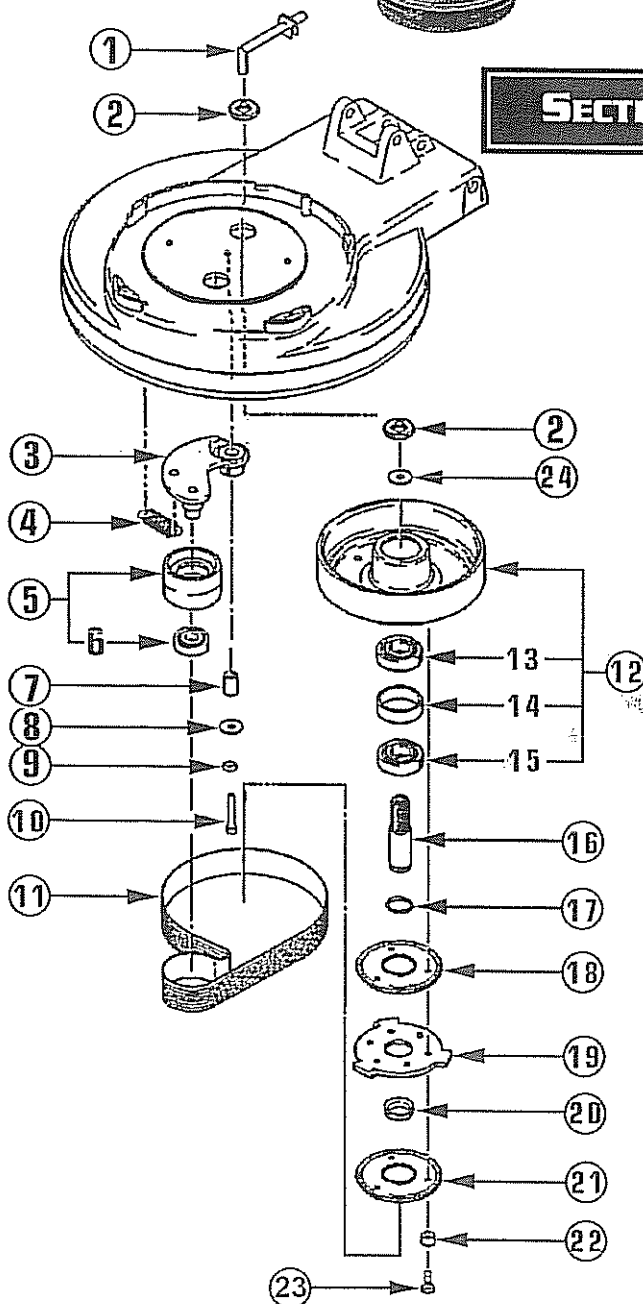


Ref No	Part Description	Qty	Part No
1	Solution Tube	1	437565
2	Large Flat Washer	1	449474
3	Tensioner Axle	1	437689
4	Belt Tension Spring	1	437697
5	Belt Tension Pulley w/Bearing	1	437700
6	Ball Bearing	1	472026
7	Sleeve	1	437751
8	M8 X 25MM Washer	1	407070
9	M8 Lockwasher	1	405604
10	M8 X 45 Hex Screw	1	437778
11	Poly-V Drive Belt	1	437387
12	Drive Pulley	1	437786
13	Ball Bearing	1	437794
14	Spacer	1	437875
15	Ball Bearing	1	437883
16	Main Shaft	1	437891
17	Retainer Washer	1	437905
18	Spacer	1	434620
19	Star Wheel	1	437956
20	V-Formed Ring	1	437964
21	Brush Support	1	437913
22	Spacer	1	437921
23	M6 X 20 Hex Screw	1	437948
24	Top Bearing Washer	1	444049

MD-180 FLOOR MACHINE REPLACEMENT PARTS LIST (AFTER JULY, 2003)

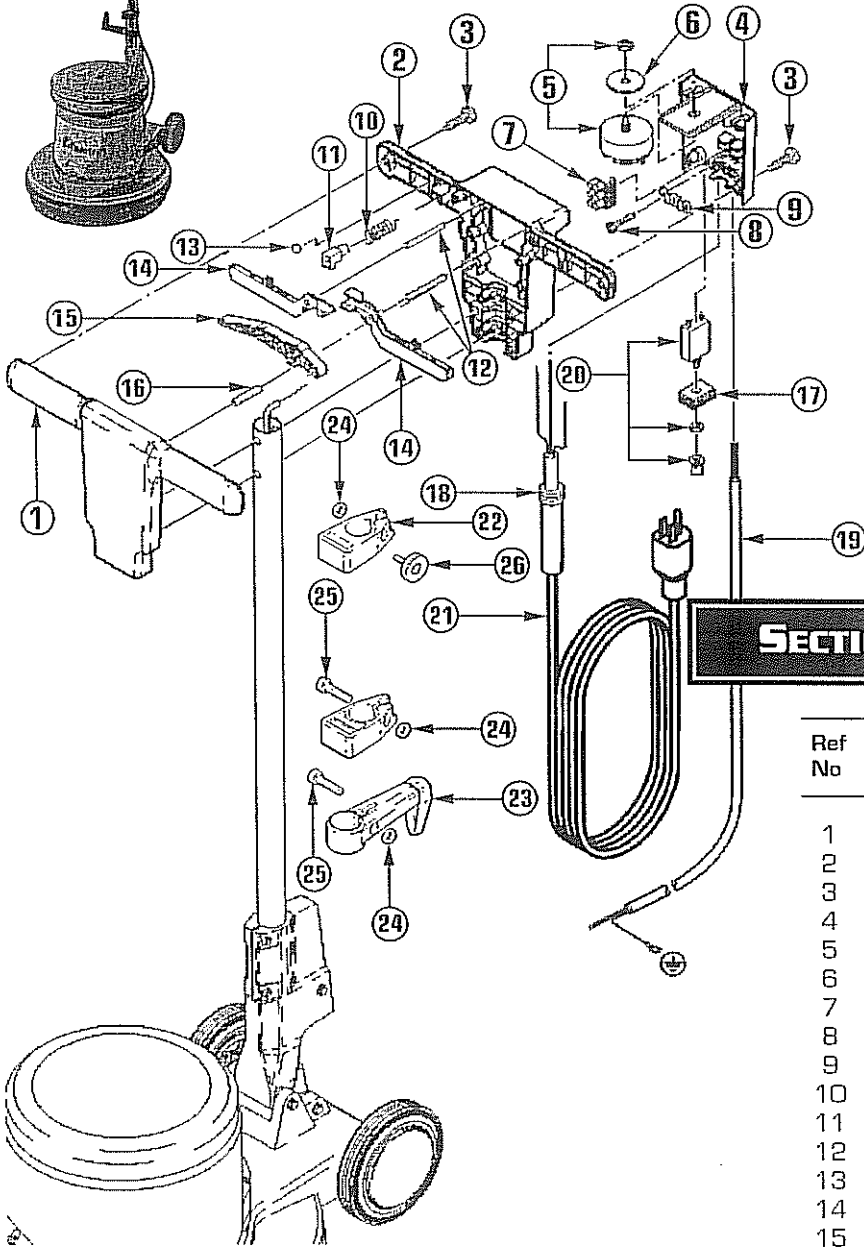


SECTION 200 - BELT DRIVE ASSEMBLY



Ref No	Part Description	Qty	Part No
1	Solution Tube	1	437565
2	Large Flat Washer	1	449474
3	Tensioner Axle	1	437689
4	Belt Tension Spring	1	437697
5	Belt Tension Pulley w/Bearing	1	437700
6	Ball Bearing	1	437743
7	Sleeve	1	437751
8	M8 X 25MM Washer	1	407070
9	M8 Lockwasher	1	405604
10	M8 X 45 Hex Screw	1	437778
11	Poly-V Drive Belt	1	437387
12	Drive Pulley	1	437786
13	Ball Bearing	1	437794
14	Spacer	1	437875
15	Ball Bearing	1	437883
16	Main Shaft	1	437891
17	Retainer Washer	1	437905
18	Spacer	1	434620
19	Star Wheel	1	437956
20	V-Formed Ring	1	437964
21	Brush Support	1	437913
22	Spacer	1	437921
23	M6 X 20 Hex Screw	1	437948
24	Top Bearing Washer	1	444049

MD-180 FLOOR MACHINE REPLACEMENT PARTS LIST (AFTER JULY, 2003)



SECTION 500 - SWITCH BOX

Ref No	Part Description	Qty	Part No
1	Switch Box Front	1	427667
2	Switch Box Back	1	427675
3	KA 50 X 25mm Screw	2	427683
4	Switch Box Cover	1	472344
5	Switch	1	427993
6	Washer	1	451584
7	Terminal Block	1	428027
8	Screw K40 X 25	1	453188
9	Cable Clamp	1	428019
10	Coil Spring	1	427691
11	Trigger Lock	2	447781
12	Straight Pin	1	427748
13	Ball	1	427713
14	Trigger Switch	1	472301
15	Shaft Adjustment Lever	1	741.207
16	Straight Pin	1	427764
17	Switchbox Plug	1	428043
18	Strain Relief	2	428035
19	Handle Cord	1	437395
20	Motor Protection Switch	1	433284
22	Solution Tank Holder	1	427772
21	14/3, 30 ft. Line Cord	1	437409
23	Cord Hook	1	427780
24	M6 Hex Nut	3	439797
25	M6 X 25 Hex Screw	2	404845
26	Millet Screw	1	6321596

Floor Machines & Burnishers